



# Introducing Squirrel's WS140 Series Terminals



## Elevate your restaurant's appearance

Charm guests with these sleek terminals that seamlessly blend into your restaurant's décor. The WS140H rivals the modern look of tablets while providing the same full-featured enterprise capability and screen workspace as a traditional POS terminal.



### DRIVE REVENUE BY ENHANCING THE GUEST EXPERIENCE

- > **Promote a cleaner aesthetic** Designed for invisibility, the smaller footprint, reduced profile and flexible positioning of the WS140H terminals allow them to blend into their environment.
- > **Transform your look** Featuring a 16x9 aspect ratio and bright projective capacitive (PCAP) screens, the WS140H terminal has a tablet-style appearance that takes a restaurant's presentation to the next level.
- > **Enable efficient and more personal service** The WS140H provides servers with ample screen workspace for speedy order entry and billing, and its reduced height encourages eye contact with guests at counters and bars.

### REDUCE EXPENSES WITHOUT SACRIFICING QUALITY OR PERFORMANCE

- > **Invest in durable, future-friendly technology** Powered by state-of-the-art Quad Core ARM processors and made using damage-resistant PCAP glass, these terminals will stand the test of time and fast-paced restaurant environment.
- > **Take advantage of a speedy Linux operating system** The WS140H runs a Squirrel restaurant-hardened Linux-based operating system which is lighter-weight, low maintenance and resilient to security attacks.
- > **Benefit from lower power requirements** Quad Core ARM processors feature high performance that requires less energy for eco-friendly operational cost savings.



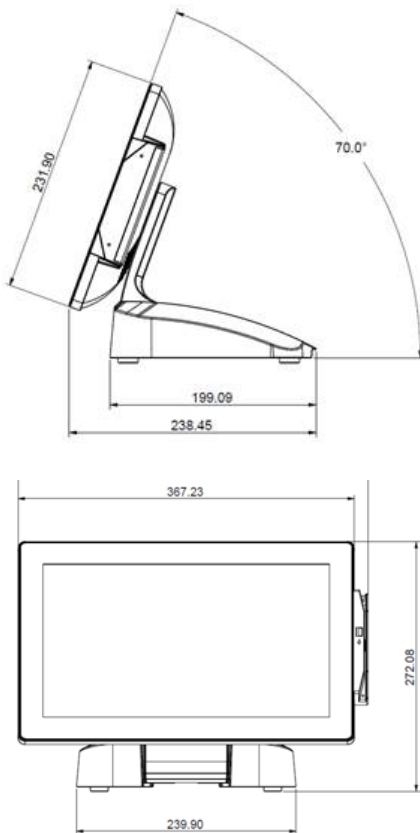
We're here to help grow your business. For more information about the **WS150 SERIES** contact a Matrix POS representative **905.752.1200**



# WS140 Series

## Technical Specifications

- 14-inch, 16:9 aspect ratio widescreen terminal with support for 4:3 Compatibility Mode
- Projective capacitive (PCAP) glass touchscreen
- Tilting stand that enables flexible positioning
- Cable management and easy access to I/O space
- Quad Core ARM processor
- Squirrel Linux-based operating system



### Motherboard

CPU	Quad Core ARM Cortex A53 (ARM v8) cluster, 1.4 GHz
System Memory	1GB LPDDR2 at 900MHz

### LCD Panel

LCD Size	14" widescreen TFT LCD, 16:9 aspect ratio
Maximal Resolution	1366 x 768 (Also supports 1024x768 in 4:3 Compatibility Mode.)

Brightness	220 nits (typ)
Backlight	LED
Touch Screen	True flat projective capacitive (PCAP) touch
Tilt Angle	0° - 110° (without custom display)

<b>Storage</b>	MicroSDHC 8-32GB
----------------	------------------

### I/O

USB	5 x USB ports (v2.0)
Serial / COM	1 x D9*+ 2 x D9 via USB adapter * fixed D9 enumerates to COM2
LAN Ethernet	1 x RJ45 (10/100/1000Mb/s)
DC Jack	4-pin DIN type DC12 V

<b>Connectivity Support</b>	<i>Serial:</i> Up to 3 x devices: POS printer, 2x20 customer facing character display, barcode reader, scale, RFID reader <i>Barpouir USB:</i> keyboard, mouse, serial adaptors
-----------------------------	--

<b>Power Adapter</b>	12V/40W (external)
<b>Power Interfaces</b>	Front-facing power/activity LED, soft I/O button

### Peripherals

MSR (incl std)	3 tracks (USB) (track 3 turned off for Squirrel standard)
Wall Mount (optional)	VESA 75 x 75 mm

### Environment

EMC & Safety	CE, FCC Class A
Operating Temperature	0°C - 35°C
Storage Temperature	-20°C - 60°C
Operating Humidity	20% - 85% RH non-condensing
Storage Humidity	20% - 85% RH non-condensing

<b>Dimensions (WxDxH)</b>	382 x 240 x 262 mm / 15.0" x 9.4" x 10.3"
---------------------------	---

<b>Weight (NW / GW)</b>	4.25 kg / 5.25 kg
-------------------------	-------------------